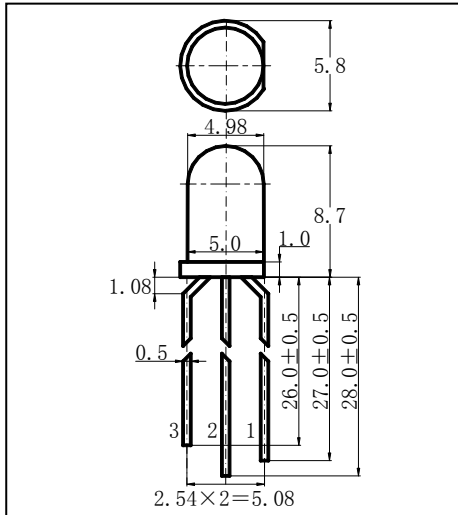


(Part number system for led lamp) **RPG509MK-A (φ 5MM long pin RED&GREEN Common cathode mist)**

(Package Dimensions) (Unit): mm Ta=25°C absolute maximum:



Item	symbol	value		Unit
Chip variety		RED	GREEN	
Maximum operating current	IF	20	20	mA
backward voltage	VF	6	6	V
end-use temperature	TOP	-25~+85	-25~+85	°C
soldering temperature /time	TSOL	260/≤3	260/≤3	°C/S
power dissipation	PD	80	100	mW
Maximum forward current		40	40	mA

Chip		
Chip variety	GaP	GaP
colour	RED	GREEN

Colloid	
material	epoxy resin
Colour	White mist

(Initial Electrical Optical Characteristics)

Chip variety		Red Chip			Green Chip				
Item	symbol	min	prevailing	max	min	prevailing	max	Unit	test condition
light intensity	IV	500	600	700	2000	3000	4000	mcd	IF=20mA
Lighting Angle	2θ1/2	/	100	/	/	100	/	deg	IF=20mA
peak wavelength	λp	/	640	/	/	572	/	nm	IF=20mA

dominant wavelength	λ_d	635	638	640	520	525	530	nm	$I_F=20mA$
bandwidth	$\Delta\lambda$	/	30	/	/	30	/	nm	$I_F=20mA$
direct voltage	V_F	1.9	2.1	2.3	3.2	3.3	3.4	V	$I_F=20mA$
backward current	I_R	/	/	≤ 30	/	/	≤ 30	μA	$V_R=5V$

LED $I_F=20mA$ 、 $V_F= 2.5 V$ 时, Working hours thirty thousand to one hundred thousand hours