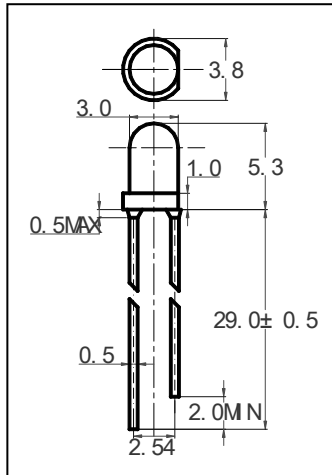


# R-304BL

Package Dimensions: [mm]



<b>CHIP</b>	
<b>Material</b>	<b>InGaAlP</b>
<b>Color</b>	<b>Bule</b>
<b>Colloid</b>	
<b>Material</b>	<b>Epoxy resin</b>
<b>Color</b>	<b>Blue-proliferation</b>

## Absolute Maximum Ratings ( Ta=25°C )

Parameter	Symbol	Value	Unit
Max Power Dissipation	$P_M$	100	mW
Max Continuous Forward Current	$I_{FM}$	30	mA
Max Reverse Voltage	$V_{RM}$	5	V
Peak Forward Current	$I_{FP}$	75	mA
Lead Soldering Temperature/Time	$T_{SOL}$	240/≤3S	°C/S
Operating Temperature Range	$T_{OPR}$	-25~+85	°C
Storage Temperature Range	$T_{STR}$	-30~+100	°C

## Initial Electrical Optical Characteristics

Parameter	Symbol	Min.	Typ.	Max.	Unit	Condition
Luminous Intensity	$I_V$	6500	/	8000	mcd	$I_F=20mA$
Viewing Angle	$2\theta_{1/2}$	/	30	/	deg	$I_F=20mA$
Peak Wave Length	$\lambda_p$	/	462	/	nm	$I_F=20mA$
Dominant Wave Length	$\lambda_d$	459	462	462	nm	$I_F=20mA$
Spectral Width at half height	$\Delta\lambda$	/	30	/	nm	$I_F=20mA$
Forward Voltage	$V_F$	2.8	3.0	3.2	V	$I_F=20mA$
Reverse Current	$I_R$	/	/	≤30	μA	$V_R=5V$