

Characteristics

Supply voltage $4.5\text{ V} \leq V_S \leq 30\text{ V}$

FZL 4141 D $0^\circ\text{C} \leq T_A \leq +70^\circ\text{C}$

FZL 4145 D $-25^\circ\text{C} \leq T_A \leq +85^\circ\text{C}$

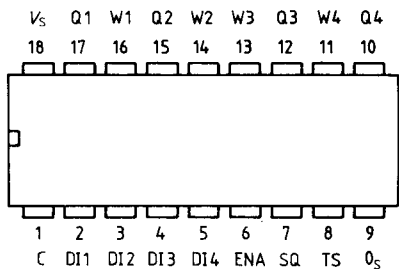
Description	Symbol	Test conditions	min	typ	max	Unit
Supply current	I_S	$V_{ENA} = 0\text{ V}, V_W = V_S$		6	8.5	mA
H input voltage at DI, ENA	V_{IH}	$V_{TS} = 0\text{ V}$	2			V
H input voltage at DI, ENA	V_{IH}	$V_{TS} = V_S$	8			V
L input voltage at DI, ENA	V_{IL}	$V_{TS} = 0\text{ V}$			0.7	V
L input voltage at DI, ENA	V_{IL}	$V_{TS} = V_S$			6	V
Input current at DI, ENA	$I_{DI, ENA}$	$0.5\text{ V} \leq V_{DI, ENA} \leq 30\text{ V}$	50		200	μA
L output voltage at SQ	V_{SQL}	$I_{SQ} = 5\text{ mA}$			0.5	V
Output current available ¹⁾	I_Q I_Q	$V_Q = V_S - 1.5\text{ V}$ $T_A = 0^\circ\text{C}$, $V_Q = V_S - 1.5\text{ V}$	1.5 1.7	2.5		mA mA
Current from TS	$-I_{TS}$	$V_{TS} = 0\text{ V}$		2	10	μA
Switching threshold at W	V_W		$V_S - 0.6$	$V_S - 0.5$	$V_S - 0.4$	V
Current in W	I_W				100	μA
Current from C	$-I_C$	$T_A = 20^\circ\text{C}$	12	20	34	μA
Current in C	I_C	$T_A = 20^\circ\text{C}$	0.6	1	1.7	mA
Upper switching threshold at C	V_{CU}	$T_A = 20^\circ\text{C}$	1.6	2.1	1.7	V
Lower switching threshold at C	V_{CL}	$T_A = 20^\circ\text{C}$	0.6	0.9	1.2	V
Saturation voltage at T ²⁾	V_{QR}	$V_W = V_S - 2\text{ V}, I_Q = 0$		$V_S - 0.3$		V
H output voltage	V_{QH}	$V_{ENA} = 0\text{ V}$	$V_S - 0.25$	$V_S - 0.02$		V

1) The actual output current is typically 0.5 mA higher, a value which is required as current for the short-circuit protection. However, only the value specified above is available to drive the external output transistors.

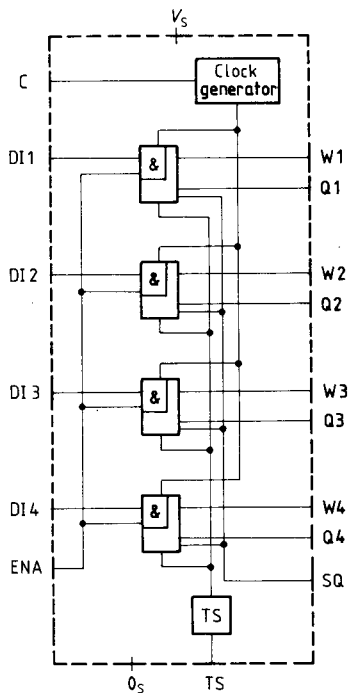
2) See block diagram

Pin Configuration

top view

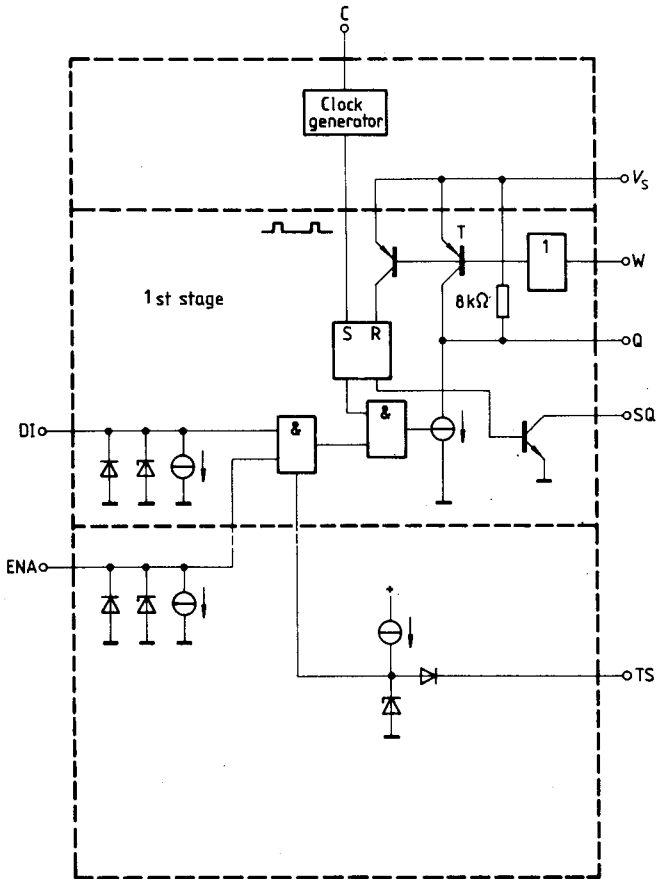


Block Diagram



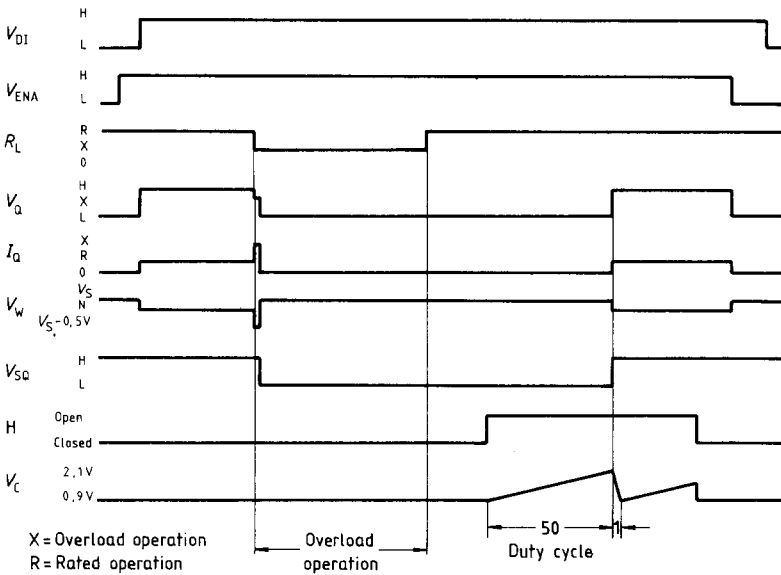
- DI Driver input
- ENA Enable input
- C Clock capacitor
- Q Output
- TS Input for threshold switching
- W Input for output current limiter
- SQ Signaling output

Schematic Circuit Diagram of One Stage

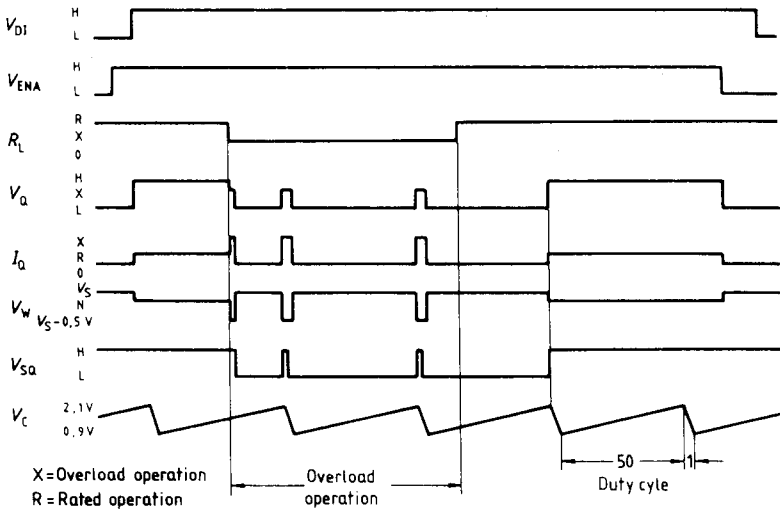


- DI Driver input
- ENA Enable input
- C Clock capacitor
- SQ Signaling output
- Q Output
- TS Input for threshold switching
- W Input for output current limiter

Mode of Operation: Switching-On again after Overload with Key H



Mode of Operation: Automatic Switching-On again after Overload



Typical Application Circuits

The load conditions at Q depend on the permissible power dissipation of the power transistors used. The pulsed power dissipation in case of a short circuit must be observed.

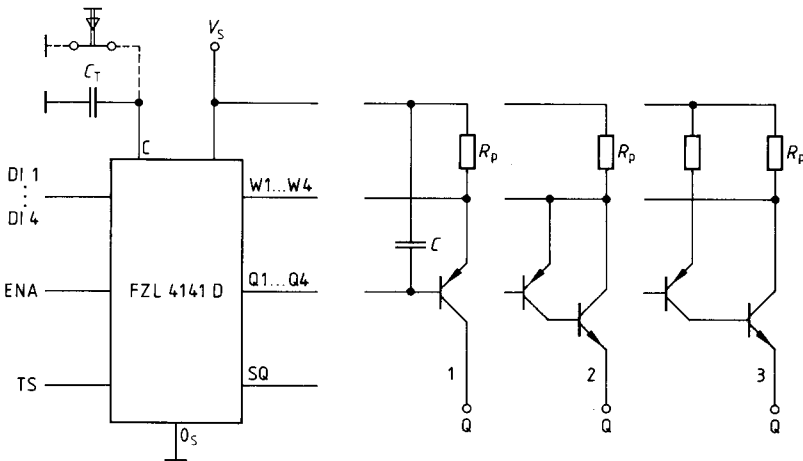
In order to suppress oscillations of the power stage in case of a short circuit, a capacitor C at Q1 to Q4 is necessary if e.g., fast switching transistors are used.

Typical value C approx. 20 nF.

The output circuit 1 is suited for currents up to approx. $I_Q = 100$ mA.

The output circuits 2 and 3 are suited for currents up to approx. $I_Q = 2$ A. A minimum power dissipation can be achieved with circuit 3.

A break key in parallel to C_T allows a manual switch-on in case of short circuit.



R_P = Precision resistor (current measurement)

$C_T = 0.8 \times t_p$ (nF, μ s)

t_p = Short-circuit current pulse length

Note

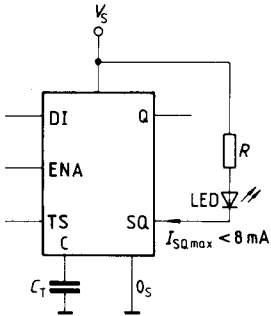
Circuit 1 does not permit a capacitor between Q1 and Q4 and the collector.

Circuit 2 does not permit a capacitor between Q1 and Q4 and base or emitter, respectively.

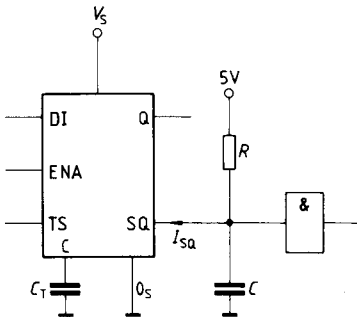
Otherwise too high current spikes would arise in case of a short circuit.

Typical Application of Short-Circuit Signaling Output SQ

1. LED Display



2. TTL/CMOS/LSL Driving



If the pulses that appear at SQ during clocked operation disturb the remainder of the circuit, a lowpass filter will be necessary. For a load current of $I_{SQ} = 1 \text{ mA}$ a capacitor C of approx. 10 nF is necessary to limit the output pulses of up to $10 \mu\text{s}$ (depending on C_T) to 1 V . Signaling occurs after approx. $50 \mu\text{s}$.