

BAS70 series; 1PS7xSB70 series

General-purpose Schottky diodes

Rev. 07 — 18 July 2005

Product data sheet

1. Product profile

1.1 General description

General-purpose Schottky diodes in small Surface Mounted Device (SMD) plastic packages.

Table 1: Product overview

Type number	Package		Configuration
	Philips	JEITA	
1PS76SB70	SOD323	SC-76	single diode
1PS79SB70	SOD523	SC-79	single diode
BAS70	SOT23	-	single diode
BAS70H	SOD123F	-	single diode
BAS70L	SOD882	-	single diode
BAS70W	SOT323	SC-70	single diode
BAS70-04	SOT23	-	dual series
BAS70-04W	SOT323	SC-70	dual series
BAS70-05	SOT23	-	dual common cathode
BAS70-05W	SOT323	SC-70	dual common cathode
BAS70-06	SOT23	-	dual common anode
BAS70-06W	SOT323	SC-70	dual common anode
BAS70-07	SOT143B	-	dual isolated
BAS70-07S	SOT363	SC-88	dual isolated
BAS70-07V	SOT666	-	dual isolated
BAS70VV	SOT666	-	triple isolated

1.2 Features

- High switching speed
- High breakdown voltage
- Low leakage current
- Low capacitance

1.3 Applications

- Ultra high-speed switching
- Voltage clamping

PHILIPS

1.4 Quick reference data

Table 2: Quick reference data

Symbol	Parameter	Conditions	Min	Typ	Max	Unit
I_F	forward current		-	-	70	mA
V_F	forward voltage	$I_F = 1 \text{ mA}$	[1]	-	410	mV
V_R	reverse voltage		-	-	70	V

[1] Pulse test: $t_p \leq 300 \mu\text{s}$; $\delta \leq 0.02$

2. Pinning information

Table 3: Pinning

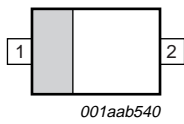

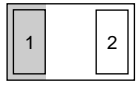

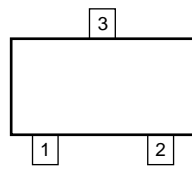
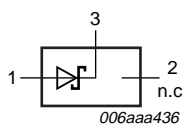
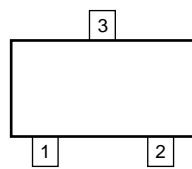
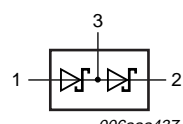
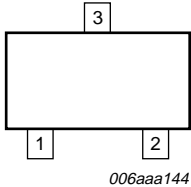
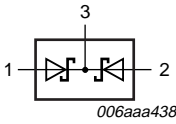
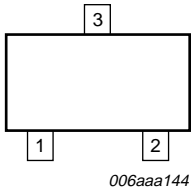
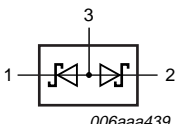
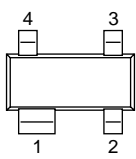
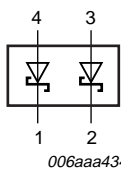
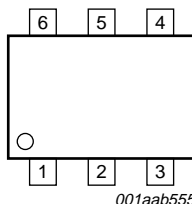
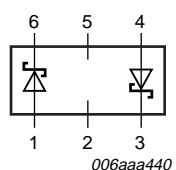
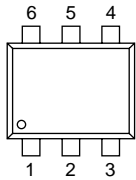
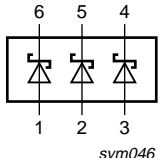
Pin	Description	Simplified outline	Symbol
BAS70H, 1PS76SB70, 1PS79SB70			
1	cathode	 <p>001aab540</p>	 <p>sym001</p>
2	anode		
BAS70L			
1	cathode	 <p>Transparent top view</p>	 <p>sym001</p>
2	anode		
BAS70, BAS70W			
1	anode	 <p>006aaa144</p>	 <p>006aaa436</p>
2	not connected		
3	cathode		
BAS70-04, BAS70-04W			
1	anode (diode 1)	 <p>006aaa144</p>	 <p>006aaa437</p>
2	cathode (diode 2)		
3	cathode (diode 1), anode (diode 2)		

Table 3: Pinning (Continued)

Pin	Description	Simplified outline	Symbol
BAS70-05, BAS70-05W			
1	anode (diode 1)	 <p>006aaa144</p>	 <p>006aaa438</p>
2	anode (diode 2)		
3	cathode (diode 1), cathode (diode 2)		
BAS70-06, BAS70-06W			
1	cathode (diode 1)	 <p>006aaa144</p>	 <p>006aaa439</p>
2	cathode (diode 2)		
3	anode (diode 1), anode (diode 2)		
BAS70-07			
1	cathode (diode 1)		 <p>006aaa434</p>
2	cathode (diode 2)		
3	anode (diode 2)		
4	anode (diode 1)		
BAS70-07S, BAS70-07V			
1	anode (diode 1)	 <p>001aab555</p>	 <p>006aaa440</p>
2	not connected		
3	cathode (diode 2)		
4	anode (diode 2)		
5	not connected		
6	cathode (diode 1)		
BAS70VV			
1	anode (diode 1)		 <p>sym046</p>
2	anode (diode 2)		
3	anode (diode 3)		
4	cathode (diode 3)		
5	cathode (diode 2)		
6	cathode (diode 1)		

[1] The marking bar indicates the cathode.

3. Ordering information

Table 4: Ordering information

Type number	Package		
	Name	Description	Version
1PS76SB70	SC-76	plastic surface mounted package, 2 leads	SOD323
1PS79SB70	SC-79	plastic surface mounted package, 2 leads	SOD523
BAS70	-	plastic surface mounted package; 3 leads	SOT23
BAS70H	-	plastic surface mounted package; 2 leads	SOD123F
BAS70L	-	leadless ultra small plastic package; 2 terminals; body 1.0 × 0.6 × 0.5 mm	SOD882
BAS70W	SC-70	plastic surface mounted package; 3 leads	SOT323
BAS70-04	-	plastic surface mounted package; 3 leads	SOT23
BAS70-04W	SC-70	plastic surface mounted package; 3 leads	SOT323
BAS70-05	-	plastic surface mounted package; 3 leads	SOT23
BAS70-05W	SC-70	plastic surface mounted package; 3 leads	SOT323
BAS70-06	-	plastic surface mounted package; 3 leads	SOT23
BAS70-06W	SC-70	plastic surface mounted package; 3 leads	SOT323
BAS70-07	-	plastic surface mounted package; 4 leads	SOT143B
BAS70-07S	SC-88	plastic surface mounted package; 6 leads	SOT363
BAS70-07V	-	plastic surface mounted package; 6 leads	SOT666
BAS70VV	-	plastic surface mounted package; 6 leads	SOT666

4. Marking

Table 5: Marking codes

Type number	Marking code [1]	Type number	Marking code [1]
1PS76SB70	S2	BAS70-05	75*
1PS79SB70	G	BAS70-05W	75*
BAS70	73*	BAS70-06	76*
BAS70H	AH	BAS70-06W	76*
BAS70L	S8	BAS70-07	77*
BAS70W	73*	BAS70-07S	77*
BAS70-04	74*	BAS70-07V	77
BAS70-04W	74*	BAS70VV	N1

- [1] * = -: made in Hong Kong
 * = p: made in Hong Kong
 * = t: made in Malaysia
 * = W: made in China

5. Limiting values

Table 6: Limiting values

In accordance with the Absolute Maximum Rating System (IEC 60134).

Symbol	Parameter	Conditions	Min	Max	Unit
Per diode					
V_R	reverse voltage		-	70	V
I_F	forward current		-	70	mA
I_{FRM}	repetitive peak forward current	$t_p \leq 1$ s; $\delta \leq 0.5$	-	70	mA
I_{FSM}	non-repetitive peak forward current	$t_p \leq 10$ ms	[1] -	100	mA
T_j	junction temperature		-	150	°C
T_{amb}	ambient temperature		-65	+150	°C
T_{stg}	storage temperature		-65	+150	°C

[1] $T_j = 25$ °C prior to surge.

6. Thermal characteristics

Table 7: Thermal characteristics

Symbol	Parameter	Conditions	Min	Typ	Max	Unit
$R_{th(j-a)}$	thermal resistance from junction to ambient	in free air	[1]			
	SOT23		-	-	500	K/W
	SOT143B		-	-	500	K/W
	SOT363		-	-	416	K/W
	SOT666 (BAS70VV)		[2] -	-	700	K/W
	SOT666 (BAS70-07V)		[2] -	-	416	K/W
	SOD123F		[2] -	-	330	K/W
	SOD323		-	-	450	K/W
	SOD523		[2] -	-	450	K/W
	SOD882		[2] -	-	500	K/W
	SOT323		-	-	625	K/W

[1] Device mounted on an FR4 Printed-Circuit Board (PCB), single-sided copper, tin-plated and standard footprint.

[2] Reflow soldering is the only recommended soldering method.

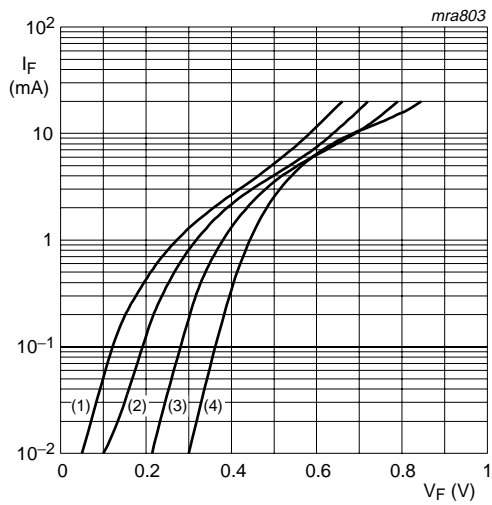
7. Characteristics

Table 8: Characteristics

$T_{amb} = 25^{\circ}\text{C}$ unless otherwise specified.

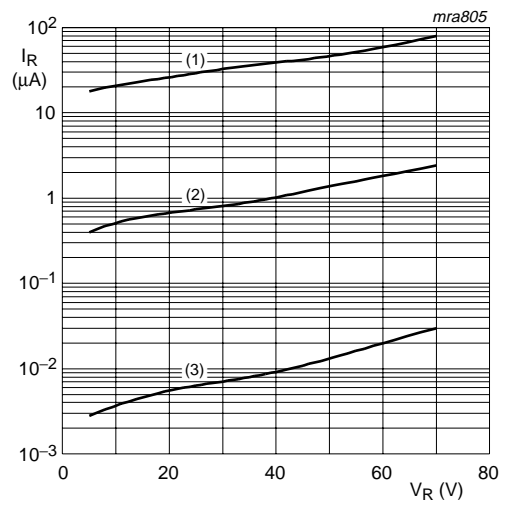
Symbol	Parameter	Conditions	Min	Typ	Max	Unit
Per diode						
V_F	forward voltage	$I_F = 1\text{ mA}$	[1]	-	410	mV
		$I_F = 10\text{ mA}$	[1]	-	750	mV
		$I_F = 15\text{ mA}$	[1]	-	1	V
I_R	reverse current	$V_R = 50\text{ V}$	-	-	100	nA
		$V_R = 70\text{ V}$	-	-	10	μA
C_d	diode capacitance	$V_R = 0\text{ V}; f = 1\text{ MHz}$	-	-	2	pF

[1] Pulse test: $t_p \leq 300\text{ }\mu\text{s}; \delta \leq 0.02$.



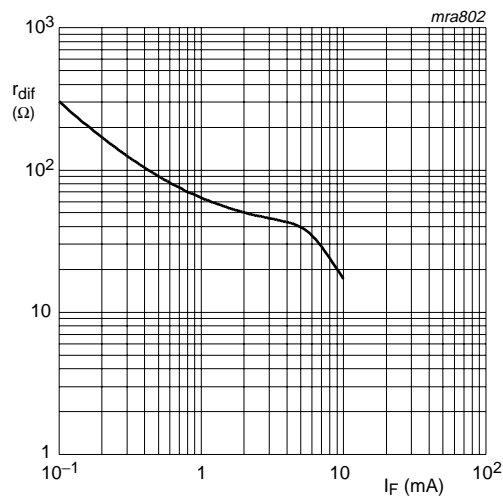
- (1) $T_{amb} = 125\text{ °C}$
- (2) $T_{amb} = 85\text{ °C}$
- (3) $T_{amb} = 25\text{ °C}$
- (4) $T_{amb} = -40\text{ °C}$

Fig 1. Forward current as a function of forward voltage; typical values



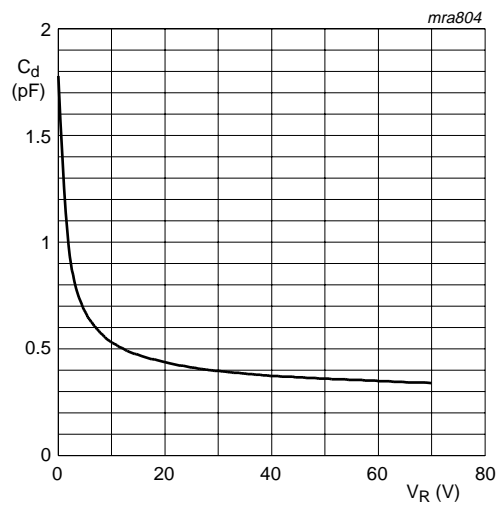
- (1) $T_{amb} = 125\text{ °C}$
- (2) $T_{amb} = 85\text{ °C}$
- (3) $T_{amb} = 25\text{ °C}$

Fig 2. Reverse current as a function of reverse voltage; typical values



$f = 10\text{ kHz}$

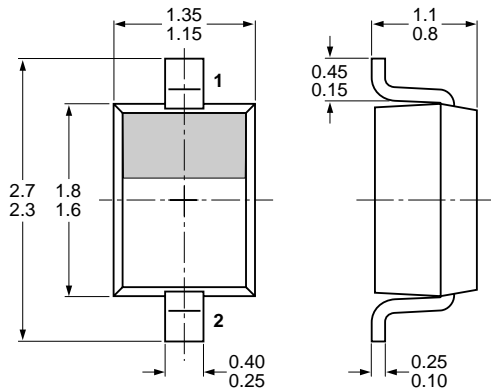
Fig 3. Differential forward resistance as a function of forward current; typical values



$T_{amb} = 25\text{ °C}; f = 1\text{ MHz}$

Fig 4. Diode capacitance as a function of reverse voltage; typical values

8. Package outline



Dimensions in mm

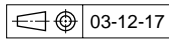
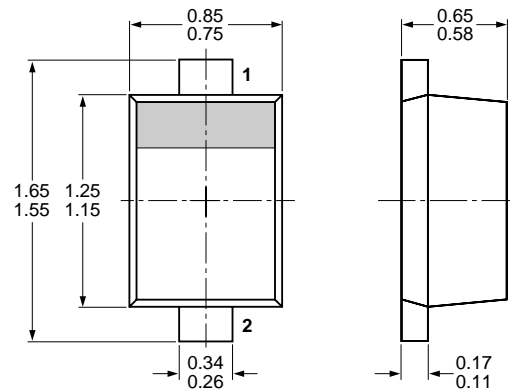


Fig 5. Package outline SOD323 (SC-76)



Dimensions in mm

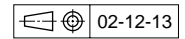
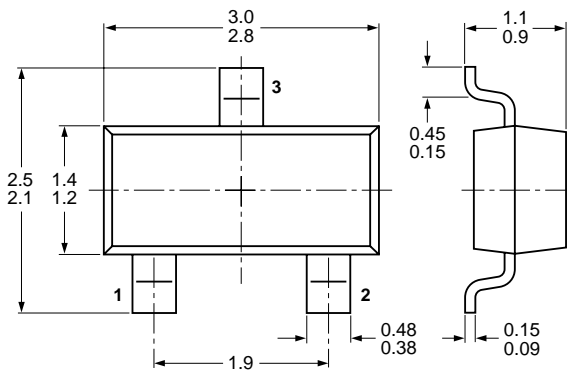


Fig 6. Package outline SOD523 (SC-79)



Dimensions in mm

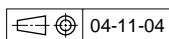
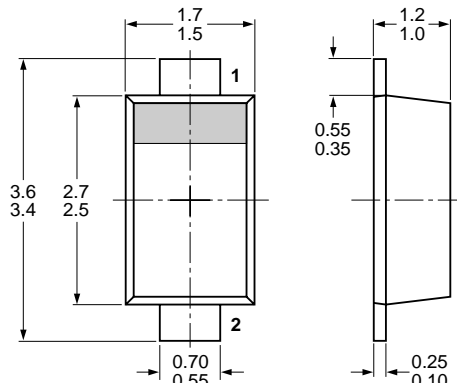


Fig 7. Package outline SOT23 (TO-236AB)



Dimensions in mm

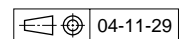
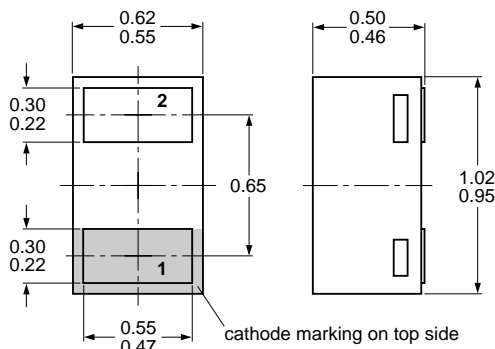


Fig 8. Package outline SOD123F



Dimensions in mm

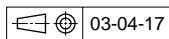
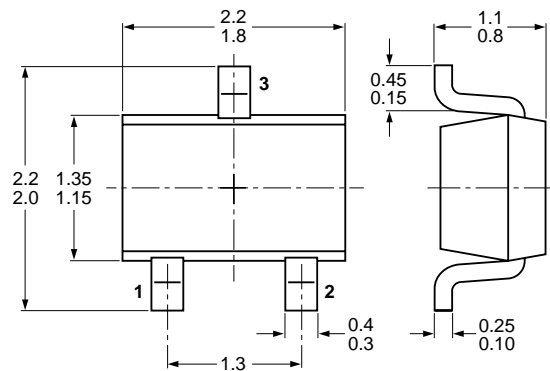


Fig 9. Package outline SOD882



Dimensions in mm

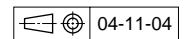
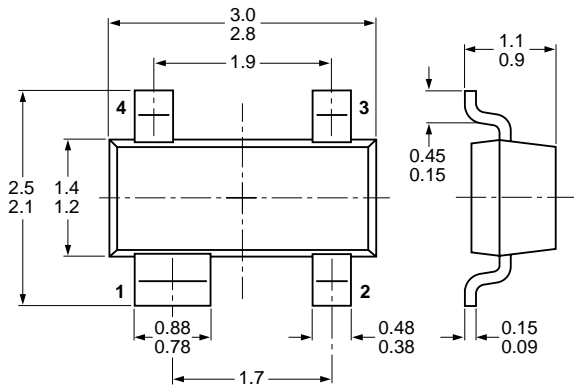


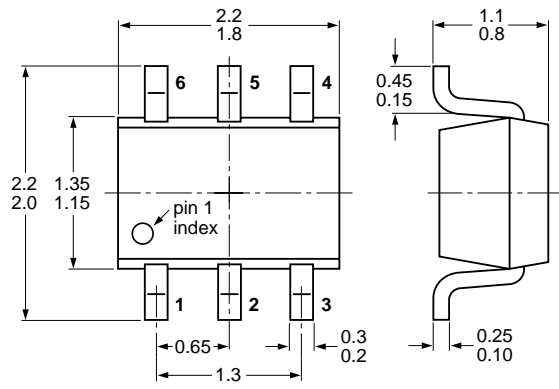
Fig 10. Package outline SOT323 (SC-70)



Dimensions in mm



Fig 11. Package outline SOT143B



Dimensions in mm

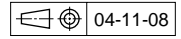
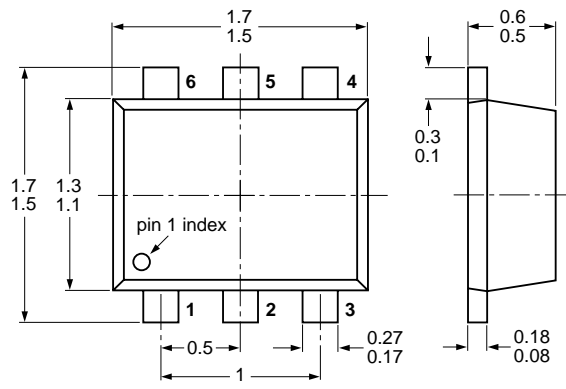


Fig 12. Package outline SOT363 (SC-88)



Dimensions in mm

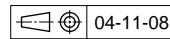


Fig 13. Package outline SOT666

9. Packing information

Table 9: Packing methods

The indicated -xxx are the last three digits of the 12NC ordering code. [\[1\]](#)

Type number	Package	Description	Packing quantity			
			3000	4000	8000	10000
1PS76SB70	SOD323	4 mm pitch, 8 mm tape and reel	-115	-	-	-135
1PS79SB70	SOD523	4 mm pitch, 8 mm tape and reel	-115	-	-	-135
BAS70	SOT23	4 mm pitch, 8 mm tape and reel	-215	-	-	-235
BAS70H	SOD123F	4 mm pitch, 8 mm tape and reel	-115	-	-	-135
BAS70L	SOD882	2 mm pitch, 8 mm tape and reel	-	-	-	-315
BAS70W	SOT323	4 mm pitch, 8 mm tape and reel	-115	-	-	-135
BAS70-04	SOT23	4 mm pitch, 8 mm tape and reel	-215	-	-	-235
BAS70-04W	SOT323	4 mm pitch, 8 mm tape and reel	-115	-	-	-135
BAS70-05	SOT23	4 mm pitch, 8 mm tape and reel	-215	-	-	-235
BAS70-05W	SOT323	4 mm pitch, 8 mm tape and reel	-115	-	-	-135
BAS70-06	SOT23	4 mm pitch, 8 mm tape and reel	-215	-	-	-235
BAS70-06W	SOT323	4 mm pitch, 8 mm tape and reel	-115	-	-	-135
BAS70-07	SOT143B	4 mm pitch, 8 mm tape and reel	-215	-	-	-235
BAS70-07S	SOT363	4 mm pitch, 8 mm tape and reel; T1	[2] -115	-	-	-135
		4 mm pitch, 8 mm tape and reel; T2	[3] -125	-	-	-165
BAS70-07V	SOT666	4 mm pitch, 8 mm tape and reel	-	-115	-	-
		2 mm pitch, 8 mm tape and reel	-	-	-315	-
BAS70VV	SOT666	4 mm pitch, 8 mm tape and reel	-	-115	-	-
		2 mm pitch, 8 mm tape and reel	-	-	-315	-

[1] For further information and the availability of packing methods, see [Section 16](#).

[2] T1: normal taping

[3] T2: reverse taping

10. Soldering

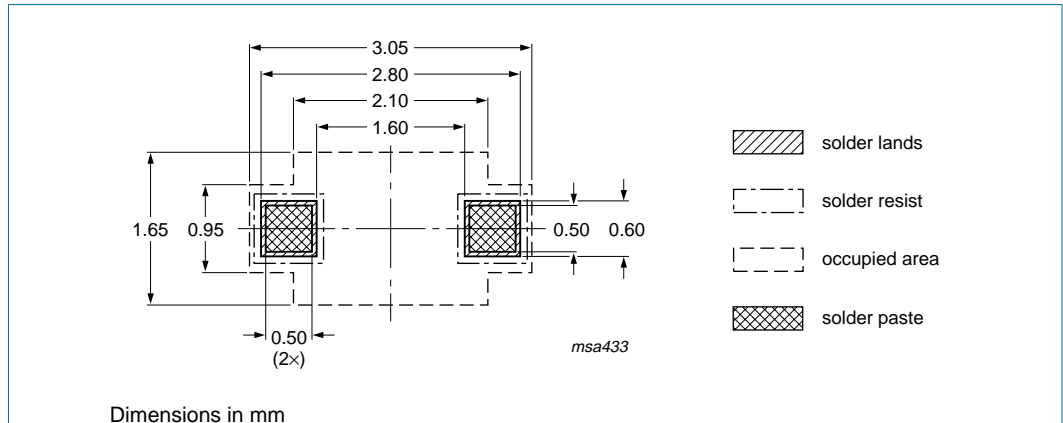


Fig 14. Reflow soldering footprint SOD323 (SC-76)

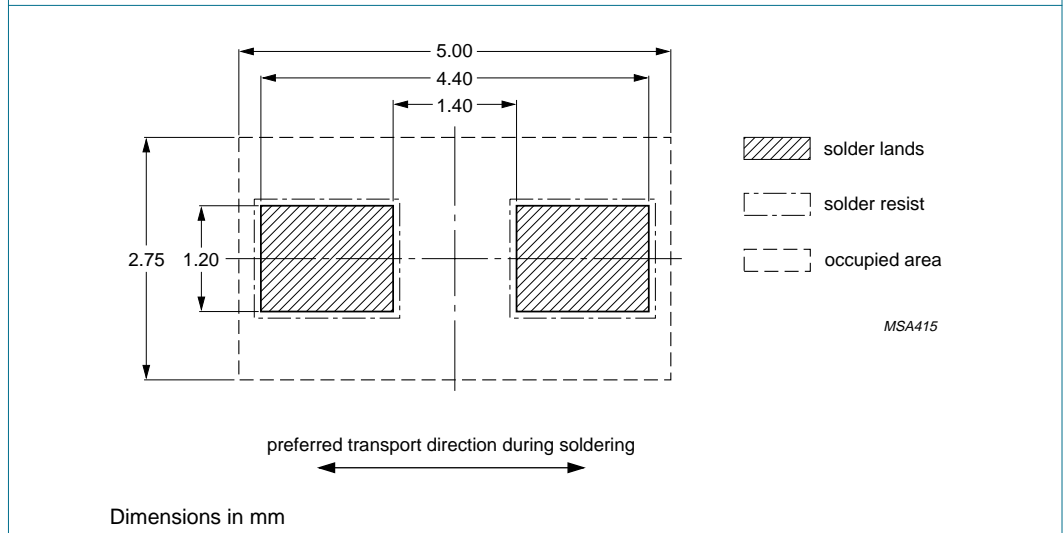


Fig 15. Wave soldering footprint SOD323 (SC-76)

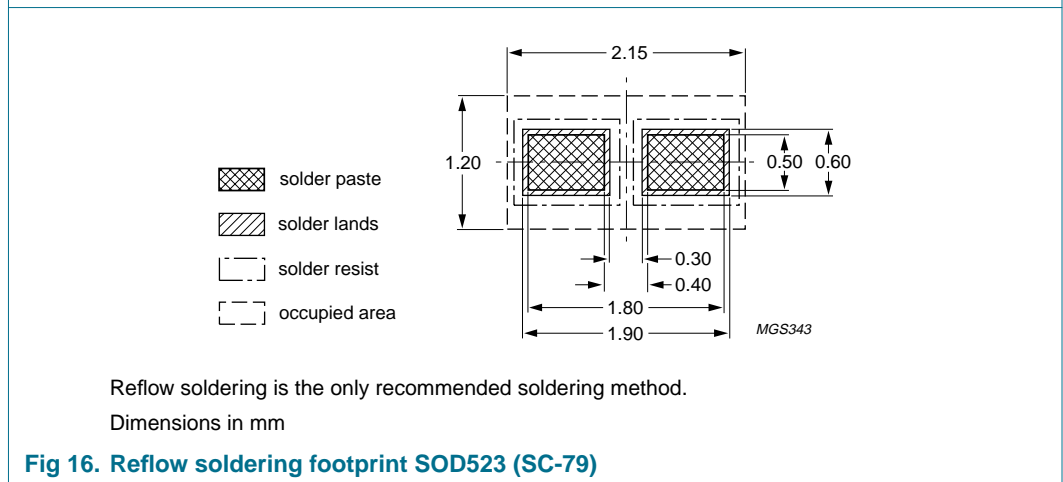


Fig 16. Reflow soldering footprint SOD523 (SC-79)

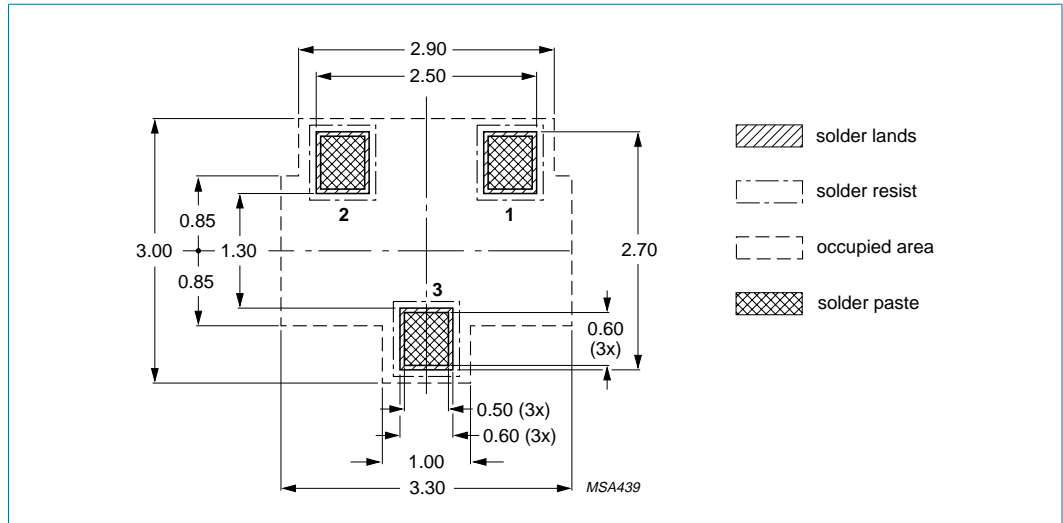


Fig 17. Reflow soldering footprint SOT23 (TO-236AB)

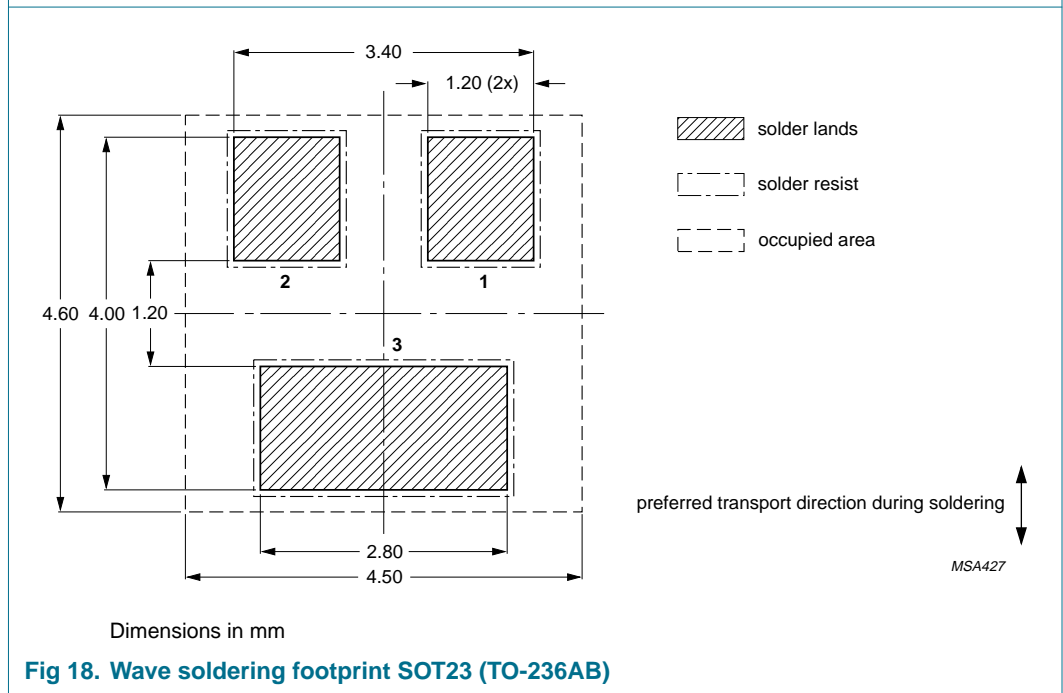
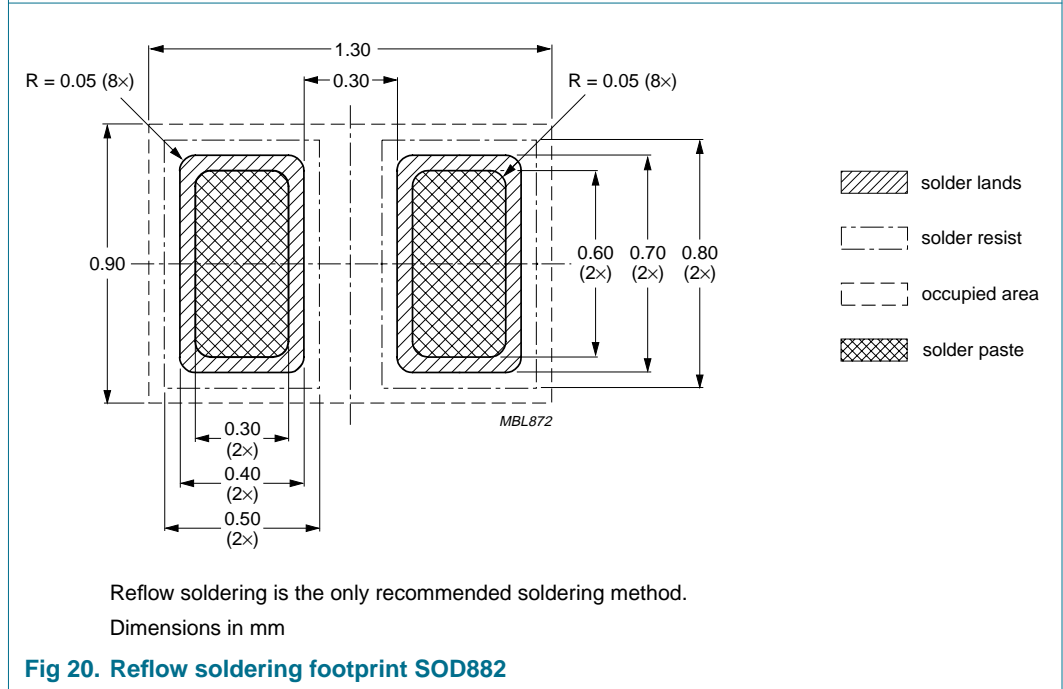
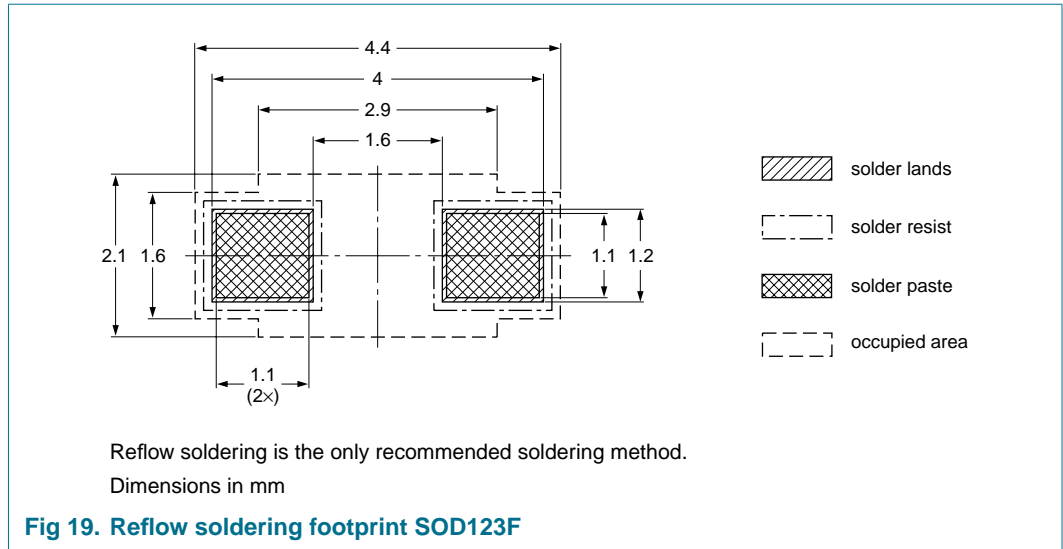
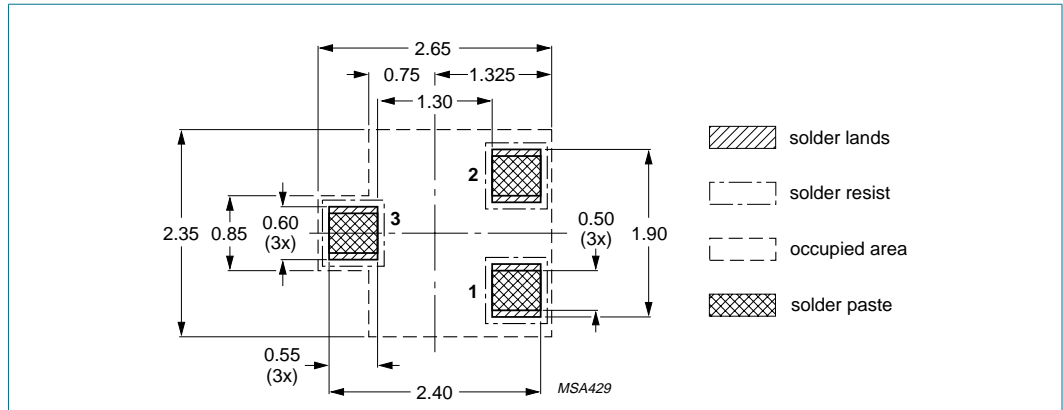


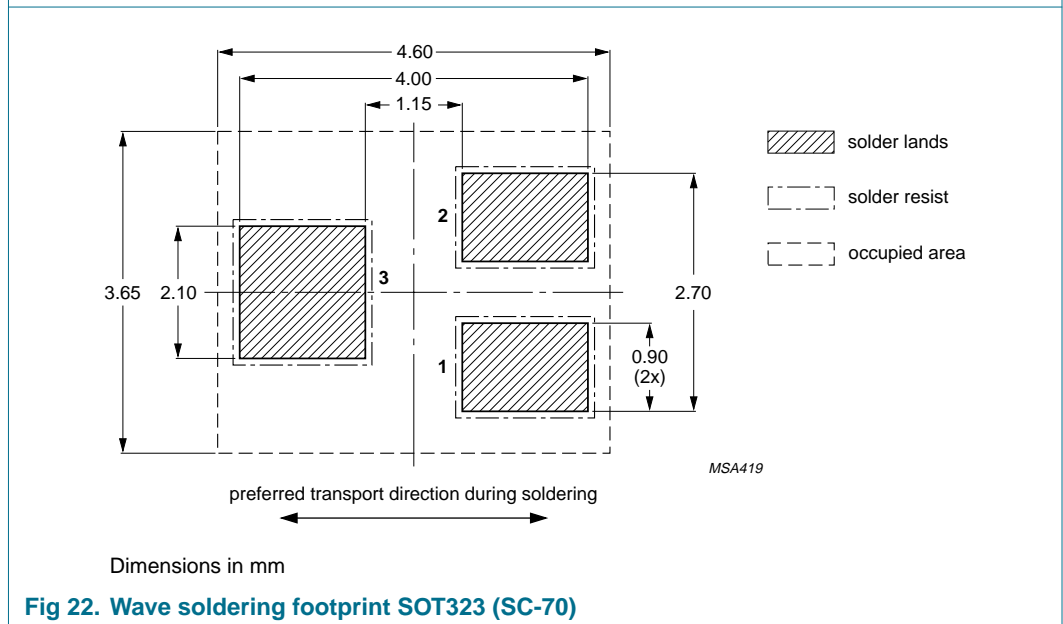
Fig 18. Wave soldering footprint SOT23 (TO-236AB)





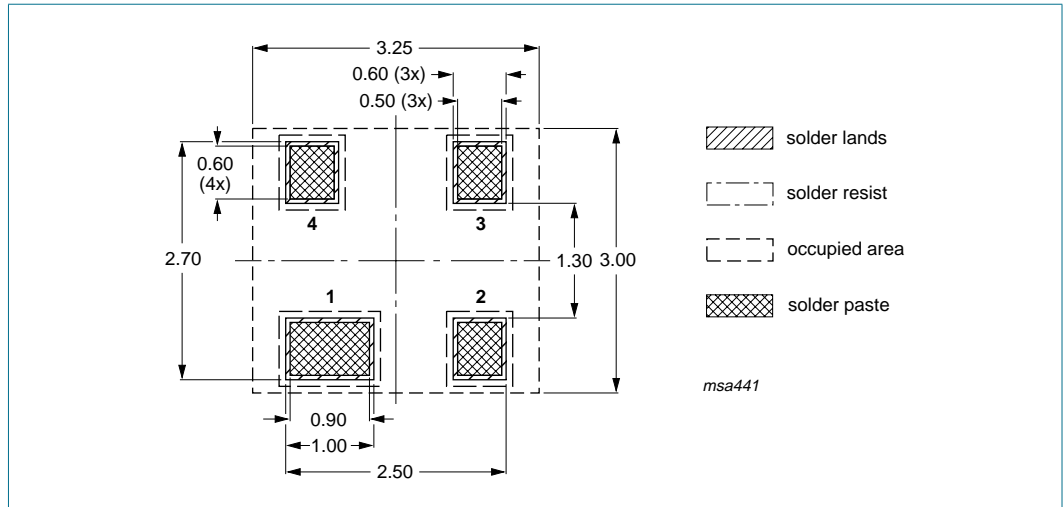
Dimensions in mm

Fig 21. Reflow soldering footprint SOT323 (SC-70)



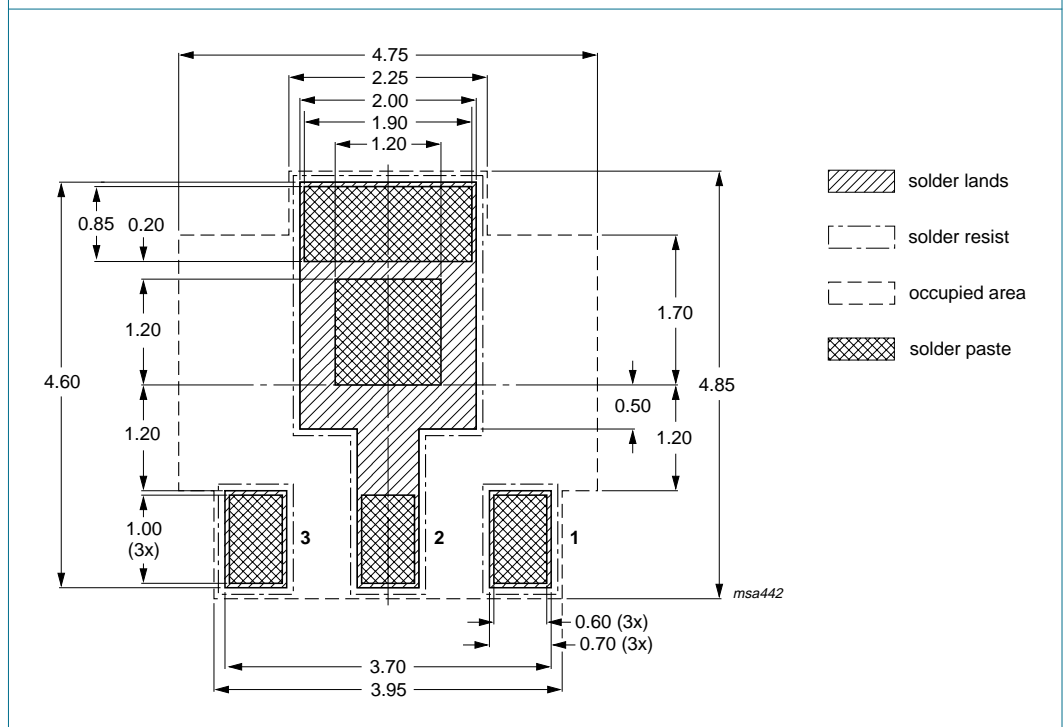
Dimensions in mm

Fig 22. Wave soldering footprint SOT323 (SC-70)



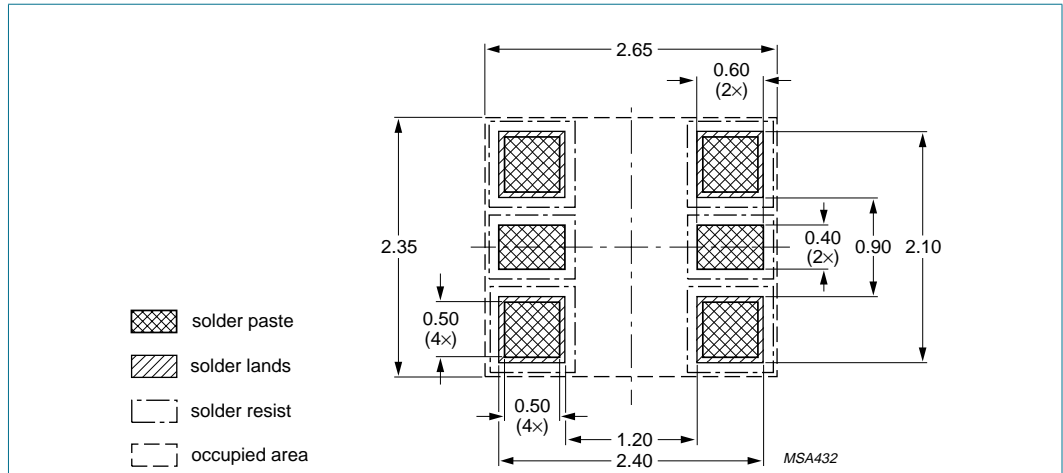
Dimensions in mm

Fig 23. Reflow soldering footprint SOT143B



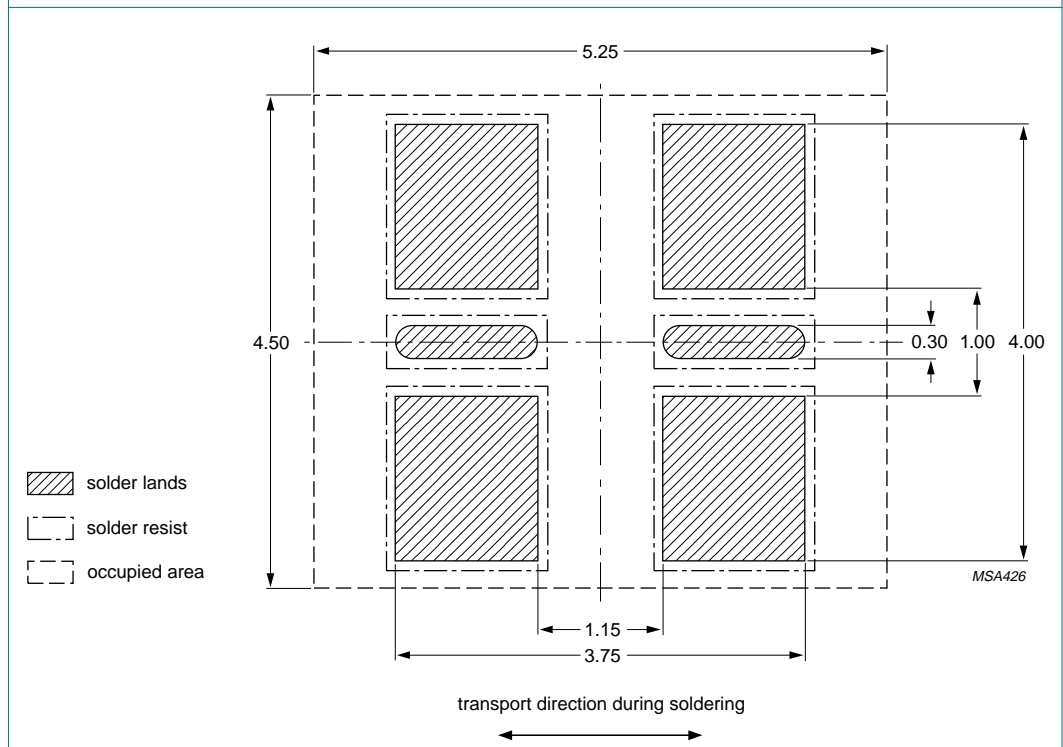
Dimensions in mm

Fig 24. Wave soldering footprint SOT143B



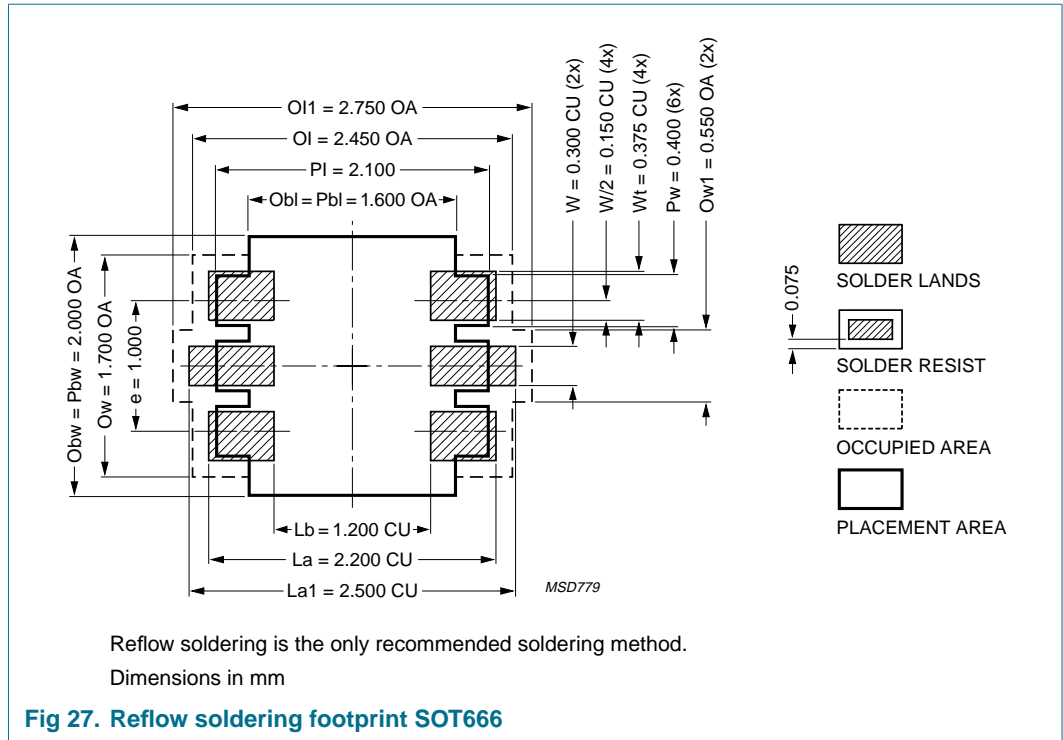
Dimensions in mm

Fig 25. Reflow soldering footprint SOT363 (SC-88)



Dimensions in mm

Fig 26. Wave soldering footprint SOT363 (SC-88)



11. Revision history

Table 10: Revision history

Document ID	Release date	Data sheet status	Change notice	Doc. number	Supersedes
BAS70_1PS7XSB70_SER_7	20050718	Product data sheet	-	-	1PS76SB70_2 1PS79SB70_1 BAS70H_1 BAS70L_1 BAS70-07V_1 BAS70VV_1 BAS70W_3 BAS70-07S_4 BAS70_SERIES_6
Modifications:					<ul style="list-style-type: none"> • The format of this data sheet has been redesigned to comply with the new presentation and information standard of Philips Semiconductors. • This data sheet is a combination of data sheets 1PS76SB70_2, 1PS79SB70_1, BAS70H_1, BAS70L_1, BAS70-07V_1, BAS70VV_1, BAS70W_3, BAS70-07S_4 and BAS70_SERIES_6. • Table 1 “Product overview”: added • Figure 5, 6, 7, 9, 10, 11, 12 and 13: superseded by minimized package outline drawings • Section 9 “Packing information”: added • Section 10 “Soldering”: added • Section 15 “Trademarks”: added
1PS76SB70_2	20040126	Product specification	-	9397 750 12623	1PS76SB70_1
1PS79SB70_1	19980716	Product specification	-	9397 750 03994	-
BAS70H_1	20050425	Product data sheet	-	9397 750 14967	-
BAS70L_1	20030520	Product specification	-	9397 750 11312	-
BAS70-07V_1	20020117	Product specification	-	9397 750 08971	-
BAS70VV_1	20040910	Product data sheet	-	9397 750 13732	-
BAS70W_3	19990326	Product specification	-	9397 750 05476	BAS70W_2
BAS70-07S_4	20030411	Product specification	-	9397 750 11159	BAS70_07S_3
BAS70_SERIES_6	20011011	Product specification	-	9397 750 08761	BAS70_5

12. Data sheet status

Level	Data sheet status ^[1]	Product status ^{[2] [3]}	Definition
I	Objective data	Development	This data sheet contains data from the objective specification for product development. Philips Semiconductors reserves the right to change the specification in any manner without notice.
II	Preliminary data	Qualification	This data sheet contains data from the preliminary specification. Supplementary data will be published at a later date. Philips Semiconductors reserves the right to change the specification without notice, in order to improve the design and supply the best possible product.
III	Product data	Production	This data sheet contains data from the product specification. Philips Semiconductors reserves the right to make changes at any time in order to improve the design, manufacturing and supply. Relevant changes will be communicated via a Customer Product/Process Change Notification (CPCN).

[1] Please consult the most recently issued data sheet before initiating or completing a design.

[2] The product status of the device(s) described in this data sheet may have changed since this data sheet was published. The latest information is available on the Internet at URL <http://www.semiconductors.philips.com>.

[3] For data sheets describing multiple type numbers, the highest-level product status determines the data sheet status.

13. Definitions

Short-form specification — The data in a short-form specification is extracted from a full data sheet with the same type number and title. For detailed information see the relevant data sheet or data handbook.

Limiting values definition — Limiting values given are in accordance with the Absolute Maximum Rating System (IEC 60134). Stress above one or more of the limiting values may cause permanent damage to the device. These are stress ratings only and operation of the device at these or at any other conditions above those given in the Characteristics sections of the specification is not implied. Exposure to limiting values for extended periods may affect device reliability.

Application information — Applications that are described herein for any of these products are for illustrative purposes only. Philips Semiconductors make no representation or warranty that such applications will be suitable for the specified use without further testing or modification.

14. Disclaimers

Life support — These products are not designed for use in life support appliances, devices, or systems where malfunction of these products can reasonably be expected to result in personal injury. Philips Semiconductors

16. Contact information

For additional information, please visit: <http://www.semiconductors.philips.com>

For sales office addresses, send an email to: sales.addresses@www.semiconductors.philips.com

customers using or selling these products for use in such applications do so at their own risk and agree to fully indemnify Philips Semiconductors for any damages resulting from such application.

Right to make changes — Philips Semiconductors reserves the right to make changes in the products - including circuits, standard cells, and/or software - described or contained herein in order to improve design and/or performance. When the product is in full production (status 'Production'), relevant changes will be communicated via a Customer Product/Process Change Notification (CPCN). Philips Semiconductors assumes no responsibility or liability for the use of any of these products, conveys no license or title under any patent, copyright, or mask work right to these products, and makes no representations or warranties that these products are free from patent, copyright, or mask work right infringement, unless otherwise specified.

15. Trademarks

Notice — All referenced brands, product names, service names and trademarks are the property of their respective owners.

17. Contents

1	Product profile	1
1.1	General description	1
1.2	Features	1
1.3	Applications	1
1.4	Quick reference data	2
2	Pinning information	2
3	Ordering information	4
4	Marking	4
5	Limiting values	5
6	Thermal characteristics	5
7	Characteristics	6
8	Package outline	8
9	Packing information	10
10	Soldering	11
11	Revision history	18
12	Data sheet status	19
13	Definitions	19
14	Disclaimers	19
15	Trademarks	19
16	Contact information	19



© Koninklijke Philips Electronics N.V. 2005

All rights are reserved. Reproduction in whole or in part is prohibited without the prior written consent of the copyright owner. The information presented in this document does not form part of any quotation or contract, is believed to be accurate and reliable and may be changed without notice. No liability will be accepted by the publisher for any consequence of its use. Publication thereof does not convey nor imply any license under patent- or other industrial or intellectual property rights.

Date of release: 18 July 2005

Document number: BAS70_1PS7XSB70_SER_7

Published in The Netherlands